

FRANKE

MAKE IT WONDERFUL

Franke Home Solutions
www.franke.com.hk

Authorised Dealer of The B.S.C. Group
06/22

Sole Distributor of Hong Kong & Macau
B.S.C. Group of Companies
Address: 19th Floor, Sino Favour Centre, 1 On Yip Street,
Chai Wan, Hong Kong
Tel: +852 2510 2328
Website: www.bschk.com

B記 - 香港 B2B 裝飾建材網
Website: www.bkee.com
Facebook: [facebook.com/BkeeOnline](https://www.facebook.com/BkeeOnline)
YouTube: B記 - 香港 B2B 裝飾建材網
Tel: +852 9815 9250 (WhatsApp)
Email: cs@bkee.com

All pictures, specifications and other content in this catalogue are the property of Franke and shall not be reproduced in any form of media without the expressed written permission from Franke.

All product images and specifications are subject to the actual technical data. Franke reserves the right to make any changes and modifications, without prior notice, resulted from technology development.

Printed in June 2022



**PRODUCT
CATALOGUE
2022-2023**

Setting new standards in
kitchen style and performance

MAKE IT WONDERFUL

FRANKE



CONTENTS

2022

Brand Introduction	02
Innovation / Awards	04
Sink Overview and Highlights	08
• Granite Sink	12
• Stainless Steel Sink	24
• Accessories	36
Tap Overview and Highlights	44
• Brass Tap	48
• Stainless Steel Tap	52
Filtration	54
Food Waste Disposer	60
Cleaning Accessories	64
Our Projects	66

SWISS HERITAGE

Since 1911

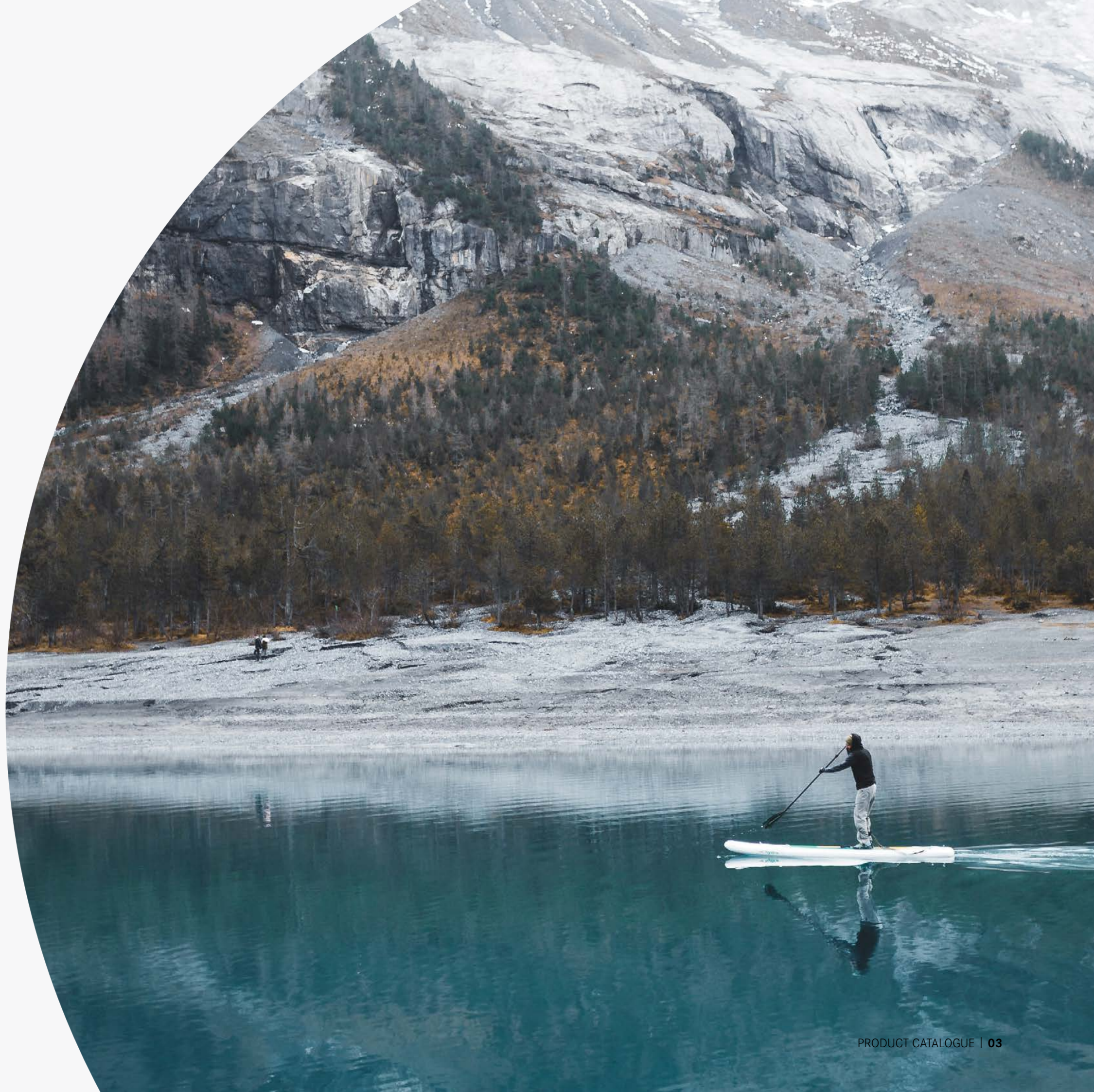
Switzerland, a beautiful country with spectacular natural landscapes and a rich history, is famous for its manufacturing excellence with uncompromising quality and design.

That's where our story began.

After pursuing detail, perfection and high quality for over a century, we stand for reliable, premium products and have a strong reputation as a dependable partner.

As a traditional Swiss brand with more than **100 years** of history, we have expanded our business across **5** continents and own **72** branches spanning **40** countries.

There are over 100 million households using Franke products today.



OUR STORY

TODAY

Franke Group consists of three core business divisions: Franke Home Solutions, Franke Foodservice Systems and Franke Coffee Systems; Franke Home Solutions has become one of the world's leading providers of integrated kitchen systems.



1911

Herman Franke establishes a sheet-metal business in Rorschach, Switzerland. In the early 1930s, he manufactures the first sink unit in nickeline, monel and later, in stainless steel. Soon, series production starts and Franke launches the first fully welded, flush-mounted sink.



1946

Walter Franke draws up a model for the standardization of the private kitchen, which set kitchen technology standards still used today. They successfully export to neighboring countries, and in the following years, further expand all throughout Europe. The business also grows from private to commercial kitchens, coffee machines, and semi-public washrooms.



1978

With the purchase of Progressive Corporation in Philadelphia USA, Franke takes the first big step towards becoming a global company. During the next few years, the company also successfully continues to increase its footprint in the African markets.

1995

Franke enters the PRC market – an important step in expanding business in Asia.

Since then, Franke has established efficient and economic manufacturing facilities all over the world, successfully building the company into today's global Franke Group.



2005

Franke takes over the Faber Group of Italy, one of the top hood manufacturers in the world. This significantly strengthens their capability of being an integrated kitchen system provider.



2011

Celebrating over 100 years of excellent products and design, Franke has been the pioneer in exceptional home solutions, foodservice systems and coffee systems. Staying true to its Swiss heritage and bringing out the best in quality, design and functionality, Franke strives to create innovative and elegant integrated kitchen solutions for every customer.



2021

In July 2020, the Franke Group announces the merger of the Faber Hoods & Cooking Systems and Franke Kitchen Systems divisions. As of January 1, 2021, the new division operates under the name of Franke Home Solutions. The Franke Group is thereby pooling its expertise in the areas of food preparation and cooking for the residential kitchen. The vision is to be present in each and every household with a Franke anchor product.



INNOVATION IS IN OUR DNA

We have always been passionate innovators since our beginnings.



• **FRANKE BOX SINK**

Red Dot Award 2015



• **FRAMES BY FRANKE STAINLESS STEEL SINK**

Red Dot Award 2016



• **FRAMES BY FRANKE SEMIPRO TAP**

Red Dot Award 2016



• **FRANKE STYLE SINK**

iF Design Award 2017
Red Dot Award 2017



• **FRAMES BY FRANKE GRANITE SINK**

iF Design Award 2017



• **FRANKE PESCARA RANGE OF TAPS**

iF Design Award 2017
Red Dot Award 2017



• **FRANKE CRYSTAL SEMI-PRO TAP**

iF Design Award 2018
Red Dot Award 2018



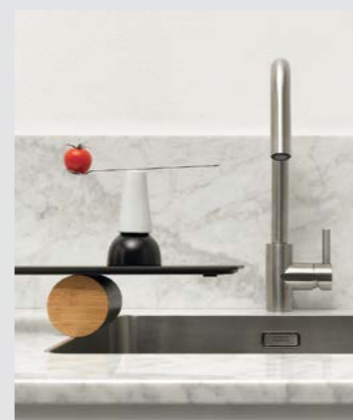
• **FRANKE BOX CENTER**

iF Design Award 2019



• **FRANKE KUBUS 2 RANGE OF FRAGRANITE SINKS**

Red Dot Award 2019



• **FRANKE MYTHOS SINK**

iF Design Award 2020



• **FRANKE ICON TAP**

iF Design Award 2021
Red Dot Award 2021



• **FRANKE MARIS GRANITE SINK**
• **FRANKE ALL-IN – THE FLEXIBLE FOOD PREPARATION SYSTEM**

Red Dot Award 2022





SINKS

Overview

Kitchen Sinks That Feel Tailor-Made

Everyone has a different vision of what would make their kitchen wonderful, and that often begins with how they intend to use it. The demands on your sink will dictate which material is right for your kitchen, as each precision-engineered material has individual character and unique benefits.

Our range covers everything, from the new trends to traditional favourites. All you have to do is pick the one that best complements your cooking style, your lifestyle and your personal style.

Fragranite

Superbly hard-wearing, sinks made of granite are particularly elegant and bring a natural look into your kitchen.

Our processed granite has a subtle shine and feels warm to the touch. The surface is finely textured but not porous, ensuring a high standard of hygiene. Composed of 80% quartz sand and 20% very hard acrylic resin, Franke's hard-wearing granite gives you a lifetime of beauty.

Stainless Steel

Franke stainless steel sinks are made from premium quality 304 stainless chrome nickel steel. Stunningly beautiful, highly resistant to stains, rust and corrosion - plus, it won't chip, craze, flake or break.

Franke offers sinks in a selection of stainless steel finishes, so whether you prefer the more reflective qualities of a polished finish or the subtle matt sheen of a silk or brushed finish, there's a stainless steel solution for you.

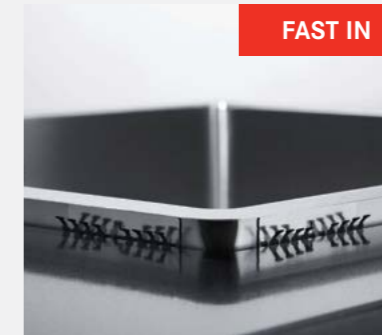
HIGHLIGHTS

Details that make the difference



Small details such as minute material processes, its forming history, or an innovative “fast-in” installation system make a huge difference in the finished product. Whether it’s to save you time, make cleaning easier, boost performance or simply provide an efficient solution for life’s little challenges, every aspect of a Franke sink is carefully designed to make life more seamless.

Choosing Your Perfect Sink



There are a number of considerations to take into account when choosing a sink. Not only how it'll accentuate the overall look and feel of your kitchen, but also how well its installation and functionality work for your lifestyle.

1. Material Options

- STAINLESS STEEL
- FRAGRANITE

2. Installation Type*

- INSET
- FLUSHMOUNT
- UNDERMOUNT

3. Number of Bowls

- **SINGLE BOWL**
Single bowl sinks come in a variety of sizes, ideal for limited space or large spaces.
- **DOUBLE BOWL**
Double bowl sinks offer great flexibility in the kitchen, providing more space, with additional options.

4. Cabinet size


The length and depth of the cabinet, on top of which the sink will be located, are the factors that determine the maximum size of an installed sink.

5. Bowl depth


A deeper bowl can make it easier to handle large pots and cookware, but the user's height should also be considered. A shallower bowl may provide greater comfort while working in and reaching the bottom of the sink.

Installation Type*




 **INSET** the most popular installation option: practical and easy.



 **FLUSHMOUNT** a sophisticated design that enhances the look of the worktop.

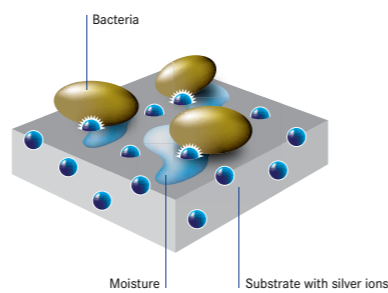


 **UNDERMOUNT** an original, refined installation choice that allows bowls and sinks to be installed underneath marble or synthetic worktops, creating a surface with immaculate lines which is highly functional, elegant and easy to maintain.



FRAGRANITE SINK

Durable and versatile, Fraganite offers a host of practical and aesthetic benefits. The surface's rich colour won't stain, mark or fade over time. Plus, having been heated up to 280°C, the material superbly hard-wearing, making it impact and scratch resistant – perfect for busy family homes. What's more, our Fraganite's Sanitized® coating reduces bacteria and microbe growth by 99%, helping keep your sink hygienic and clean.

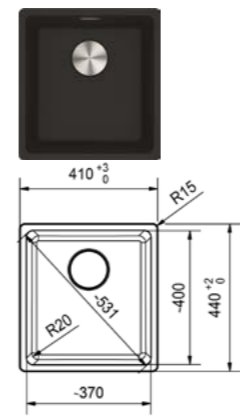


The silver ion locates the bacteria via the moisture and deactivates it.



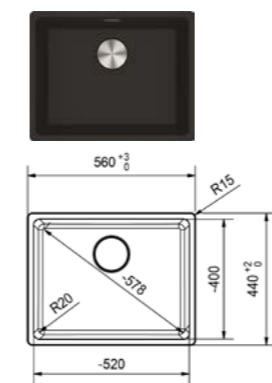
FRAGRANITE SINK

MARIS **NEW**



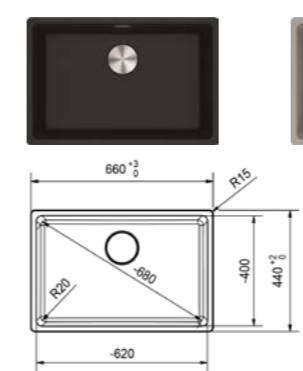
Model MRG 610-37 Onyx
Overall Size 410 x 440mm (LxW)
Bowl Size 370 x 400 x 200mm (LxWxD)
Cut-out Size 390 x 428mm, R15 (LxW)
Installation Inset, undermount
Included Accessory Waste kit w/ overflow
Suggested Retail Price \$4,780

MARIS **NEW**



Model MRG 610-52 Onyx
Overall Size 560 x 440mm (LxW)
Bowl Size 520 x 400 x 200mm (LxWxD)
Cut-out Size 540 x 428mm, R15 (LxW)
Installation Inset, undermount
Included Accessory Waste kit w/ overflow
Suggested Retail Price \$5,080

MARIS **NEW**



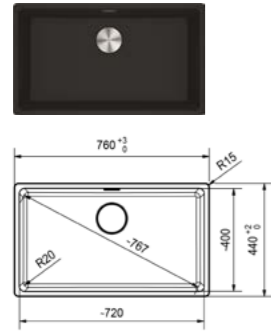
Model MRG 610-62 Onyx
Overall Size 660 x 440mm (LxW)
Bowl Size 620 x 400 x 200mm (LxWxD)
Cut-out Size 640 x 428mm, R15 (LxW)
Installation Inset, undermount
Included Accessory Waste kit w/ overflow
Suggested Retail Price \$5,280

FRAGRANITE SINK

MARIS **NEW**



SLOVAKIA

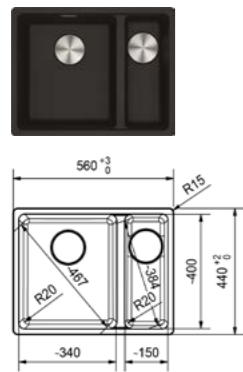


Model MRG 610-72 Onyx
Overall Size 760 x 440mm (LxW)
Bowl Size 720 x 400 x 200mm (LxWxD)
Cut-out Size 740 x 428mm, R15 (LxW)
Installation Inset, undermount
Included Accessory Waste kit w/ overflow
Suggested Retail Price \$5,480

MARIS **NEW**



SLOVAKIA

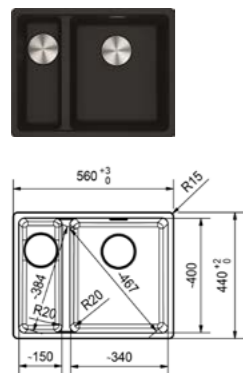


Model MRG 660 SBR Onyx
Overall Size 560 x 440mm (LxW)
Bowl Size 340 x 400 x 200mm (LxWxD),
 150 x 400 x 150mm (LxWxD)
Cut-out Size 540 x 428mm, R15 (LxW)
Installation Inset, undermount
Included Accessory Waste kit w/ overflow
Suggested Retail Price \$5,480

MARIS **NEW**



SLOVAKIA



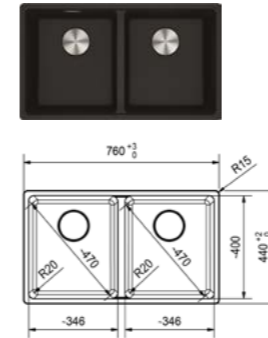
Model MRG 660 SBL Onyx
Overall Size 560 x 440mm (LxW)
Bowl Size 340 x 400 x 200mm (LxWxD),
 150 x 400 x 150mm (LxWxD)
Cut-out Size 540 x 428mm, R15 (LxW)
Installation Inset, undermount
Included Accessory Waste kit w/ overflow
Suggested Retail Price \$5,480

FRAGRANITE SINK

MARIS **NEW**



SLOVAKIA

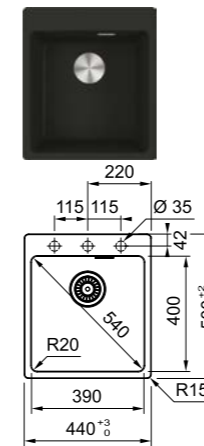


Model MRG 620-35-35 Onyx
Overall Size 760 x 440mm (LxW)
Bowl Size 346 x 400 x 200mm (LxWxD),
 346 x 400 x 200mm (LxWxD)
Cut-out Size 740 x 428mm, R15 (LxW)
Installation Inset, undermount
Included Accessory Waste kit w/ overflow
Suggested Retail Price \$5,980

MARIS **NEW**



SLOVAKIA

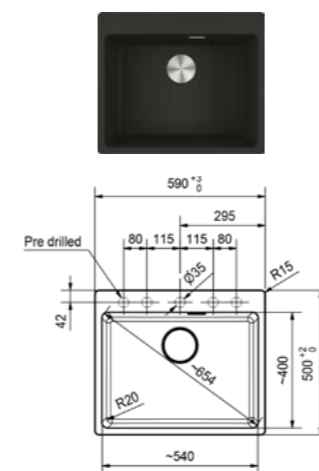


Model MRG 610-39 FTL Onyx
Overall Size 440 x 500mm (LxW)
Bowl Size 390 x 400 x 200mm (LxWxD)
Cut-out Size 420 x 480mm, R15 (LxW)
Installation Inset
Included Accessory Waste kit w/ overflow
Suggested Retail Price \$4,880

MARIS **NEW**



SLOVAKIA



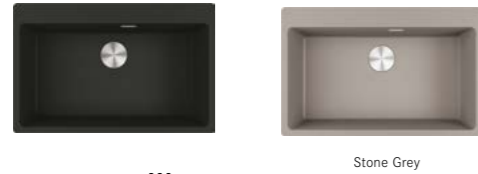
Model MRG 610-54 FTL Onyx
Overall Size 590 x 500mm (LxW)
Bowl Size 540 x 400 x 200mm (LxWxD)
Cut-out Size 570 x 480mm, R15 (LxW)
Installation Inset
Included Accessory Waste kit w/ overflow
Suggested Retail Price \$5,180

FRAGRANITE SINK

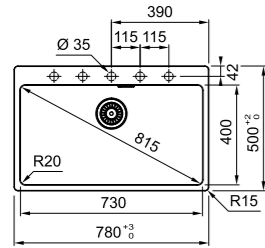
MARIS **NEW**



SLOVAKIA



Stone Grey



Model	MRG 610-73 FTL Onyx
Overall Size	780 x 500mm (LxW)
Bowl Size	730 x 400 x 200mm (LxWxD)
Cut-out Size	760 x 480mm, R15 (LxW)
Installation	Inset
Included Accessory	Waste kit w/ overflow
Suggested Retail Price	\$5,580

FRAGRANITE SINK

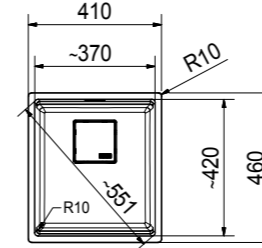
KUBUS 2



SLOVAKIA



Stone Grey



Model	KNG 110-37 Onyx
Overall Size	410 x 460mm (LxW)
Bowl Size	370 x 420 x 200mm (LxWxD)
Cut-out Size	370 x 420mm, R10 (LxW)
Installation	Undermount
Included Accessory	Waste kit w/ overflow
Suggested Retail Price	\$5,380

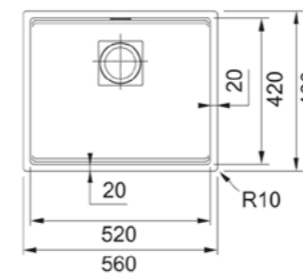
KUBUS 2



SLOVAKIA



Polar White



Stone Grey

Model	KNG 110-52 Onyx
Overall Size	560 x 460mm (LxW)
Bowl Size	520 x 420 x 200mm (LxWxD)
Cut-out Size	520 x 420mm, R10 (LxW)
Installation	Undermount
Included Accessory	Waste kit w/ overflow
Suggested Retail Price	\$6,180

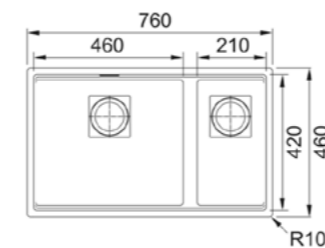
KUBUS 2



SLOVAKIA



Polar White



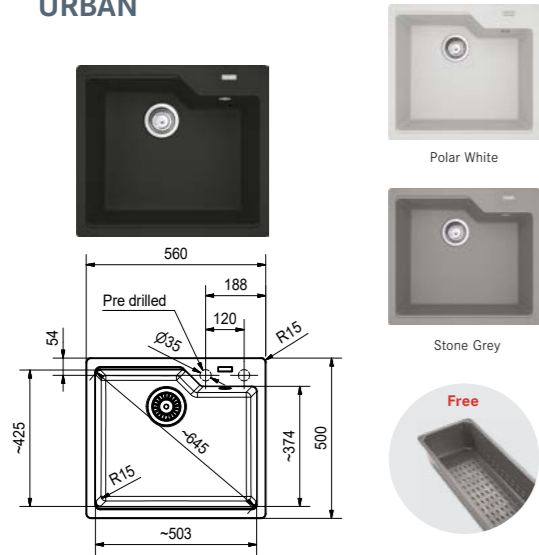
Stone Grey

Model	KNG 120 Onyx
Overall Size	760 x 460mm (LxW)
Bowl Size	460 x 420 x 200mm (LxWxD), 210 x 420 x 200mm (LxWxD)
Cut-out Size	720 x 420mm, R10 (LxW)
Installation	Undermount
Included Accessory	Waste kit w/ overflow
Suggested Retail Price	\$6,680

FRAGRANITE SINK

URBAN

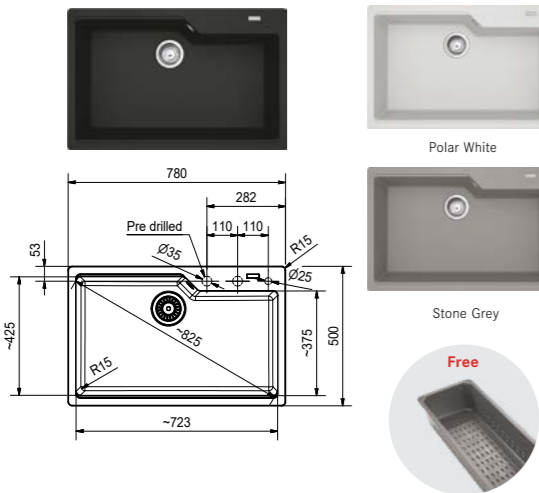
 SLOVAKIA



Model UBG 610-56 Onyx
Overall Size 560 x 500mm (LxW)
Bowl Size 503 x 425 x 230mm (LxWxD)
Cut-out Size 522 x 462mm, R20 (LxW)
Installation Inset
Included Accessory Waste kit w/ overflow, strainer bowl
Suggested Retail Price \$4,780

URBAN

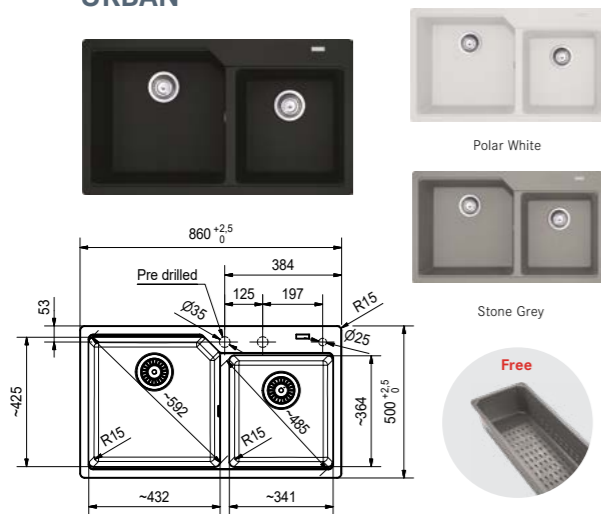
 SLOVAKIA



Model UBG 610-78 Onyx
Overall Size 780 x 500mm (LxW)
Bowl Size 723 x 425 x 230mm (LxWxD)
Cut-out Size 742 x 462mm, R20 (LxW)
Installation Inset
Included Accessory Waste kit w/ overflow, strainer bowl
Suggested Retail Price \$5,280

URBAN

 SLOVAKIA

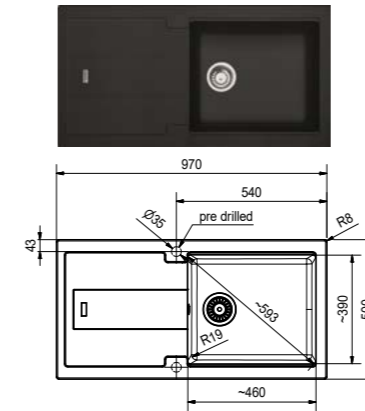


Model UBG 620-86 Onyx
Overall Size 860 x 500mm (LxW)
Bowl Size 432 x 425 x 230mm (LxWxD),
 341 x 364 x 220mm (LxWxD)
Cut-out Size 822 x 462mm, R20 (LxW)
Installation Inset
Included Accessory Waste kit w/ overflow, strainer bowl
Suggested Retail Price \$5,580

FRAGRANITE SINK

BALI

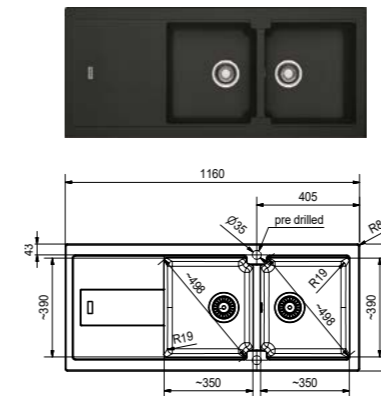
 SLOVAKIA



Model BLG 611-97 Onyx
Overall Size 970 x 500mm (LxW)
Bowl Size 460 x 390 x 190mm (LxWxD)
Cut-out Size 950 x 480mm, R22 (LxW)
Installation Inset
Included Accessory Waste kit w/ overflow
Suggested Retail Price \$5,680

BALI

 SLOVAKIA

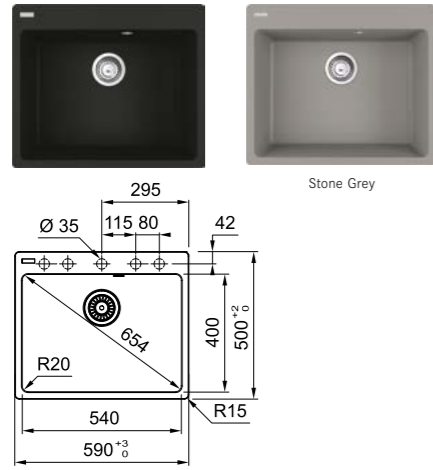


Model BLG 621 Onyx
Overall Size 1160 x 500mm (LxW)
Bowl Size 350 x 390 x 204mm (LxWxD),
 350 x 390 x 204mm (LxWxD)
Cut-out Size 1140 x 480mm, R22 (LxW)
Installation Inset
Included Accessory Waste kit w/ overflow
Suggested Retail Price \$6,780

FRAGRANITE SINK

CENTRO

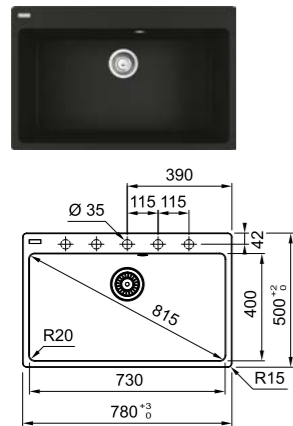
 SLOVAKIA



Model	CNG 610-54 Onyx
Overall Size	590 x 500mm (LxW)
Bowl Size	540 x 400 x 200mm (LxWxD)
Cut-out Size	570 x 480mm, R15 (LxW)
Installation	Inset
Included Accessory	Waste kit w/ overflow
Suggested Retail Price	\$4,680

CENTRO

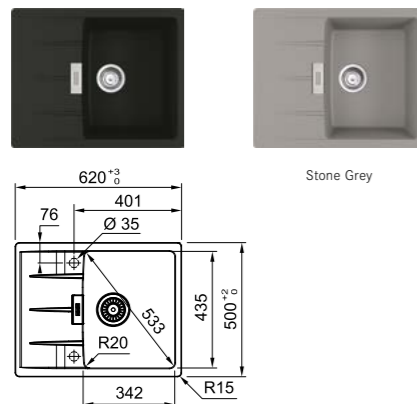
 SLOVAKIA



Model	CNG 610-73 Onyx
Overall Size	780 x 500mm (LxW)
Bowl Size	730 x 400 x 200mm (LxWxD)
Cut-out Size	760 x 480mm, R15 (LxW)
Installation	Inset
Included Accessory	Waste kit w/ overflow
Suggested Retail Price	\$5,180

CENTRO

 SLOVAKIA

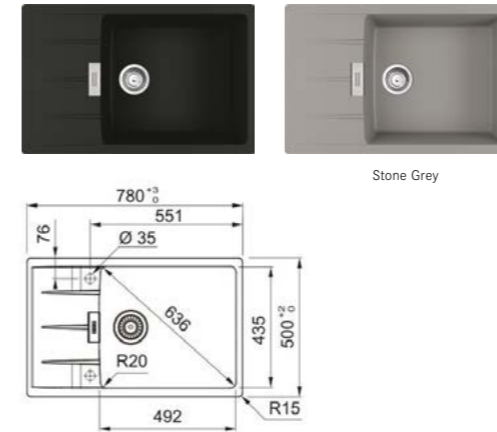


Model	CNG 611-62 Onyx
Overall Size	620 x 500mm (LxW)
Bowl Size	342 x 435 x 200mm (LxWxD)
Cut-out Size	586 x 466mm, R15 (LxW)
Installation	Inset
Included Accessory	Waste kit w/ overflow
Suggested Retail Price	\$5,280

FRAGRANITE SINK

CENTRO

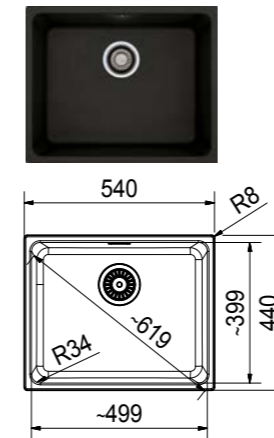
 SLOVAKIA



Model	CNG 611-78 XL Onyx
Overall Size	780 x 500mm (LxW)
Bowl Size	492 x 435 x 200mm (LxWxD)
Cut-out Size	746 x 466mm, R15 (LxW)
Installation	Inset
Included Accessory	Waste kit w/ overflow
Suggested Retail Price	\$6,080

KUBUS

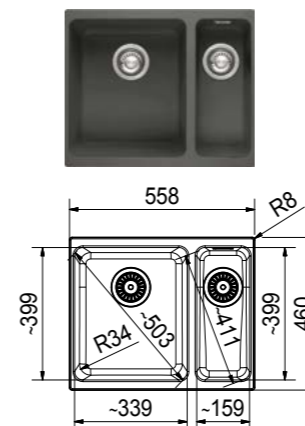
 SLOVAKIA



Model	KBG 110-50 Onyx
Overall Size	540 x 440mm (LxW)
Bowl Size	500 x 400 x 200mm (LxWxD)
Cut-out Size	500 x 400mm, R25 (LxW)
Installation	Undermount
Included Accessory	Waste kit w/ overflow
Suggested Retail Price	\$4,780

KUBUS

 SLOVAKIA



Model	KBG 160 Graphite
Overall Size	558 x 460mm (LxW)
Bowl Size	340 x 400 x 200mm (LxWxD), 160 x 400 x 130mm (LxWxD)
Cut-out Size	528 x 400mm, R25 (LxW)
Installation	Undermount
Included Accessory	Waste kit w/ overflow
Suggested Retail Price	\$5,080

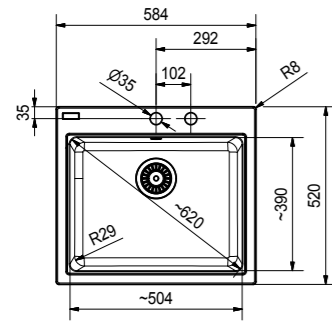
FRAGRANITE SINK

FIJI

 SLOVAKIA



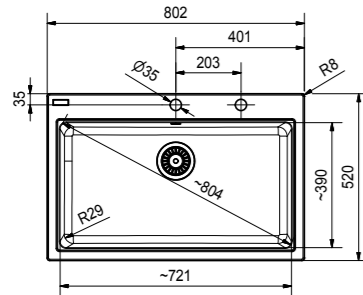
Stone Grey



Model	KSG 238/ KSG 610-58 Graphite
Overall Size	584 x 520mm (LxW)
Bowl Size	504 x 390 x 200mm (LxWxD)
Cut-out Size	554 x 490mm, R8 (LxW)
Installation	Inset
Included Accessory	Waste kit w/ overflow
Suggested Retail Price	\$4,580

FIJI

 SLOVAKIA



Model	KSG 318/ KSG 610 Onyx
Overall Size	802 x 520mm (LxW)
Bowl Size	721 x 390 x 200mm (LxWxD)
Cut-out Size	772 x 490mm, R8 (LxW)
Installation	Inset
Included Accessory	Waste kit w/ overflow
Suggested Retail Price	\$6,180

FIJI

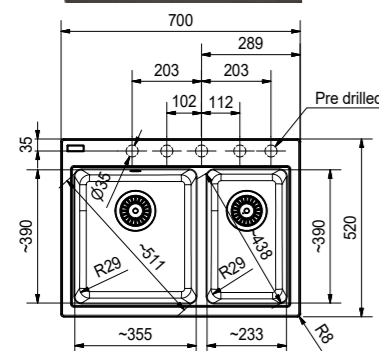
 SLOVAKIA



Polar White



Stone Grey



Model	KCG 278 Graphite
Overall Size	700 x 520mm (LxW)
Bowl Size	355 x 390 x 200mm (LxWxD), 233 x 390 x 200mm (LxWxD)
Cut-out Size	670 x 490mm, R8 (LxW)
Installation	Inset
Included Accessory	Waste kit w/ overflow
Suggested Retail Price	\$5,380

CLEANING ACCESSORIES

 ITALY

 ITALY



Colored Sink Cleaner (250ml)

Suitable for daily maintenance

Model	Colored Sink Cleaner
Suggested Retail Price:	\$230

Microfiber Care Cloth

Model	Microfiber Care Cloth
Suggested Retail Price:	\$180

STAINLESS STEEL SINK

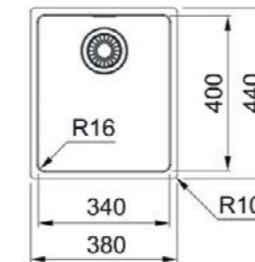
Franke offers a selection of stainless steel finishes made from 304 stainless chrome nickel steel. So, whether you prefer the more reflective qualities of a polished finish, or the subtle matt sheen of a silk or brushed finish, there's a stainless steel solution for you.



STAINLESS STEEL SINK

MARIS

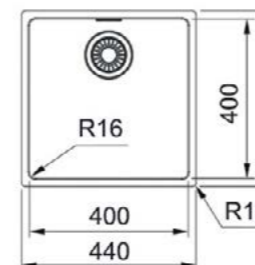
+ SWITZERLAND



Model	MRX 110-34
Radius	16
Thickness	0.8mm
Overall Size	380 x 440mm (LxW)
Bowl Size	340 x 400 x 180mm (LxWxD)
Cut-out Size	340 x 400mm, R16 (LxW)
Installation	Undermount
Included Accessory	Waste kit w/ overflow
Suggested Retail Price	\$3,180

MARIS

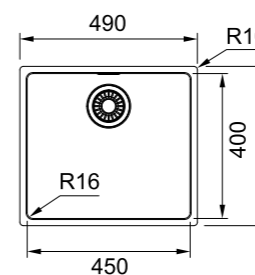
+ SWITZERLAND



Model	MRX 110-40
Radius	16
Thickness	0.8mm
Overall Size	440 x 440mm (LxW)
Bowl Size	400 x 400 x 180mm (LxWxD)
Cut-out Size	400 x 400mm, R16 (LxW)
Installation	Undermount
Included Accessory	Waste kit w/ overflow
Suggested Retail Price	\$3,280

MARIS

+ SWITZERLAND

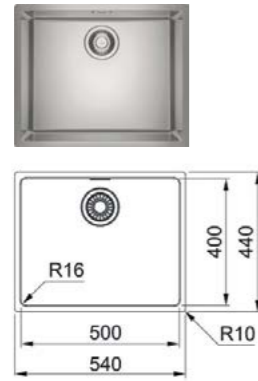


Model	MRX 110-45
Radius	16
Thickness	0.8mm
Overall Size	490 x 440mm (LxW)
Bowl Size	450 x 400 x 180mm (LxWxD)
Cut-out Size	450 x 400mm, R16 (LxW)
Installation	Undermount
Included Accessory	Waste kit w/ overflow
Suggested Retail Price	\$3,380

STAINLESS STEEL SINK

MARIS

+ SWITZERLAND

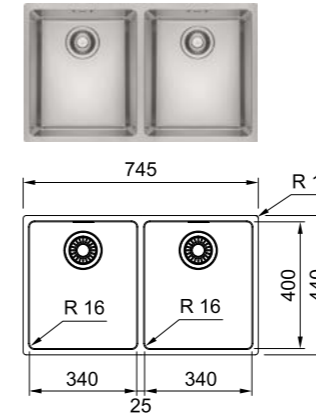


Model MRX 110-50
Radius 16
Thickness 0.8mm
Overall Size 540 x 440mm (LxW)
Bowl Size 500 x 400 x 180mm (LxWxD)
Cut-out Size 500 x 400mm, R16 (LxW)
Installation Undermount
Included Accessory Waste kit w/ overflow
Suggested Retail Price **\$3,580**

STAINLESS STEEL SINK

MARIS

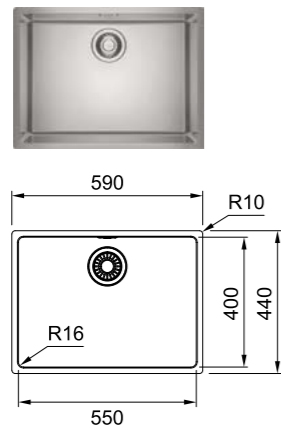
+ SWITZERLAND



Model MRX 120-34-34
Radius 16
Thickness 0.8mm
Overall Size 745 x 440mm (LxW)
Bowl Size 340 x 400 x 180mm (LxWxD),
 340 x 400 x 180mm (LxWxD)
Cut-out Size 705 x 400mm, R16 (LxW)
Installation Undermount
Included Accessory Waste kit w/ overflow
Suggested Retail Price **\$6,680**

MARIS

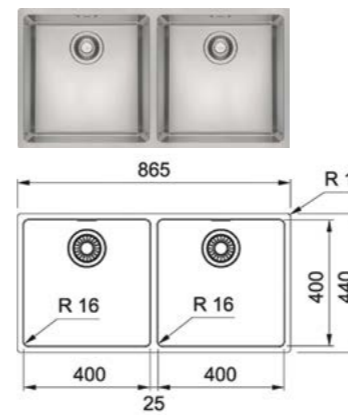
+ SWITZERLAND



Model MRX 110-55
Radius 16
Thickness 0.8mm
Overall Size 590 x 440mm (LxW)
Bowl Size 550 x 400 x 180mm (LxWxD)
Cut-out Size 550 x 400mm, R16 (LxW)
Installation Undermount
Included Accessory Waste kit w/ overflow
Suggested Retail Price **\$3,780**

MARIS

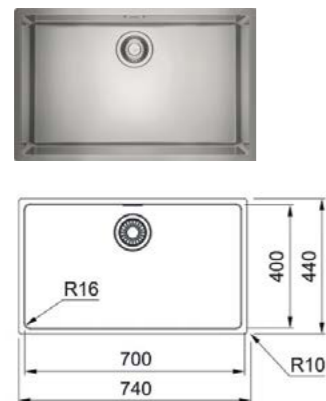
+ SWITZERLAND



Model MRX 120-40-40
Radius 16
Thickness 0.8mm
Overall Size 865 x 440mm (LxW)
Bowl Size 400 x 400 x 180mm (LxWxD),
 400 x 400 x 180mm (LxWxD)
Cut-out Size 825 x 400mm, R16 (LxW)
Installation Undermount
Included Accessory Waste kit w/ overflow
Suggested Retail Price **\$6,780**

MARIS

+ SWITZERLAND

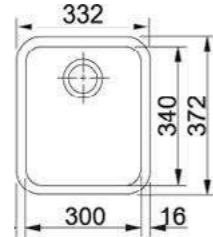


Model MRX 110-70
Radius 16
Thickness 0.8mm
Overall Size 740 x 440mm (LxW)
Bowl Size 700 x 400 x 180mm (LxWxD)
Cut-out Size 700 x 400mm, R16 (LxW)
Installation Undermount
Included Accessory Waste kit w/ overflow
Suggested Retail Price **\$4,580**

STAINLESS STEEL SINK

GALASSIA

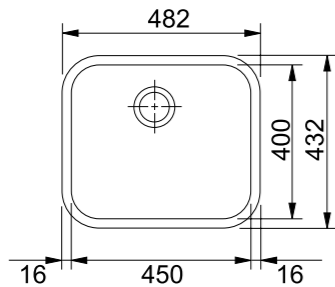
ITALY



Model GAX 110-30
Radius 49.5
Thickness 0.8mm
Overall Size 332 x 372 x 170mm (LxWxD)
Bowl Size 300 x 340 x 170mm (LxWxD)
Cut-out Size 300 x 340mm (LxW)
Installation Undermount
Included Accessory Waste kit w/ overflow
Suggested Retail Price \$1,780

GALASSIA

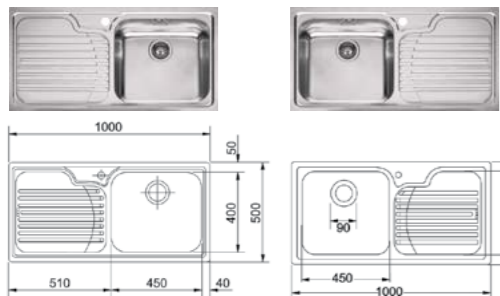
ITALY



Model GAX 110-45
Radius 69.5
Thickness 0.8mm
Overall Size 482 x 432 x 180mm (LxWxD)
Bowl Size 450 x 400 x 180mm (LxWxD)
Cut-out Size 450 x 400mm (LxW)
Installation Undermount
Included Accessory Waste kit w/ overflow
Suggested Retail Price \$2,080

GALASSIA

ITALY

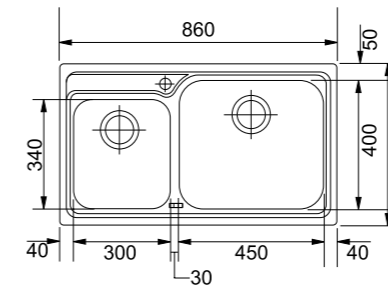


Model GAX 611 LHD / RHD
Radius -
Thickness 0.8mm
Overall Size 1000 x 500 x 205mm (LxWxD)
Bowl Size 450 x 400 x 180mm (LxWxD)
Cut-out Size 980 x 480mm (LxW)
Installation Inset
Included Accessory Waste kit w/ overflow
Suggested Retail Price \$3,380

STAINLESS STEEL SINK

GALASSIA

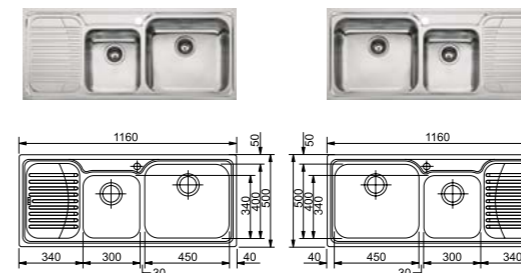
ITALY



Model GAX 620
Radius -
Thickness 0.8mm
Overall Size 860 x 500 x 205mm (LxWxD)
Bowl Size 450 x 400 x 180mm (LxWxD),
 300 x 340 x 170mm (LxWxD)
Cut-out Size 840 x 480mm (LxW)
Installation Inset
Included Accessory Waste kit w/ overflow
Suggested Retail Price \$4,180

GALASSIA

ITALY



Model GAX 621 LHD / RHD
Radius -
Thickness 0.8mm
Overall Size 1160 x 500 x 205mm (LxWxD)
Bowl Size 450 x 400 x 180mm (LxWxD),
 300 x 340 x 170mm (LxWxD)
Cut-out Size 1140 x 480mm (LxW)
Installation Inset
Included Accessory Waste kit w/ overflow
Suggested Retail Price \$4,480

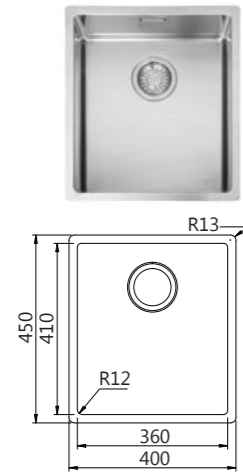
LUGANO **NEW**



Model LUX 610
Overall Size ø440 x 180mm (LxD)
Bowl Size ø380 x 180mm (LxD)
Cut-out Size ø426mm (LxW)
Installation Inset
Included Accessory Waste kit w/ overflow
Suggested Retail Price \$1,580

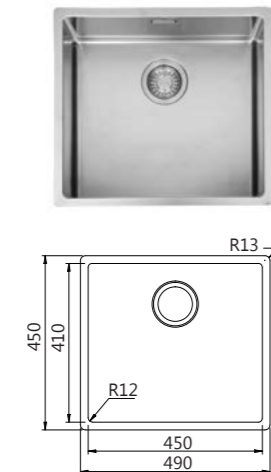
STAINLESS STEEL SINK

BOX



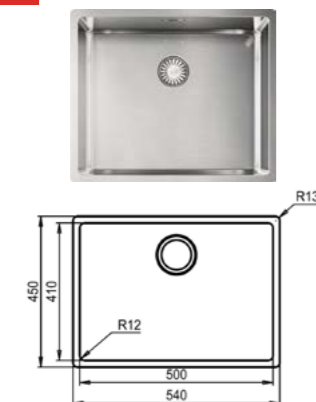
Model	BXX 210-36
Radius	12
Thickness	1.2mm
Overall Size	400 x 450 x 200mm (LxWxD)
Bowl Size	360 x 410 x 200mm (LxWxD)
Cut-out Size	370 x 420mm (LxW)
Installation	Inset, flushmount, undermount
Included Accessory	Waste kit w/ overflow
Suggested Retail Price	\$2,080

BOX



Model	BXX 210-45
Radius	12
Thickness	1.2mm
Overall Size	490 x 450 x 200mm (LxWxD)
Bowl Size	450 x 410 x 200mm (LxWxD)
Cut-out Size	460 x 420mm (LxW)
Installation	Inset, flushmount, undermount
Included Accessory	Waste kit w/ overflow
Suggested Retail Price	\$2,180

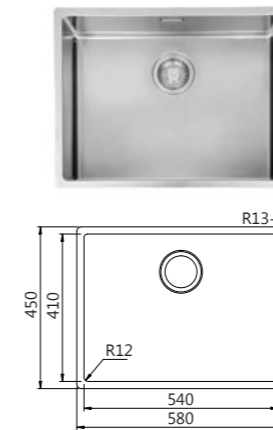
BOX **NEW**



Model	BXX 210-50
Radius	12
Thickness	1mm
Overall Size	540 x 450 x 200mm (LxWxD)
Bowl Size	500 x 410 x 200mm (LxWxD)
Cut-out Size	510 x 420mm (LxW)
Installation	Inset, flushmount, undermount
Included Accessory	Waste kit w/ overflow
Suggested Retail Price	\$2,180

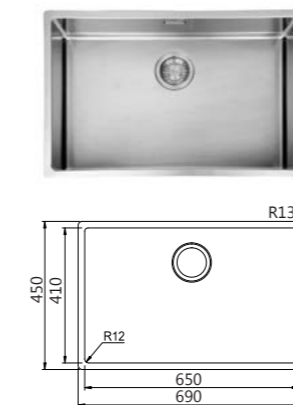
STAINLESS STEEL SINK

BOX



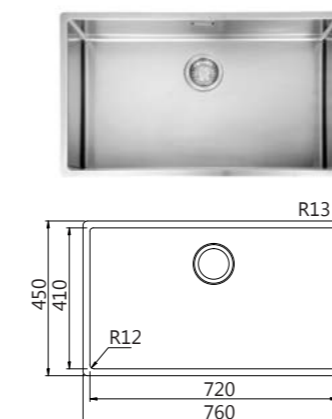
Model	BXX 210-54
Radius	12
Thickness	1.2mm
Overall Size	580 x 450 x 200mm (LxWxD)
Bowl Size	540 x 410 x 200mm (LxWxD)
Cut-out Size	550 x 420mm (LxW)
Installation	Inset, flushmount, undermount
Included Accessory	Waste kit w/ overflow
Suggested Retail Price	\$2,280

BOX



Model	BXX 210-65
Radius	12
Thickness	1.2mm
Overall Size	690 x 450 x 200mm (LxWxD)
Bowl Size	650 x 410 x 200mm (LxWxD)
Cut-out Size	660 x 420mm (LxW)
Installation	Inset, flushmount, undermount
Included Accessory	Waste kit w/ overflow
Suggested Retail Price	\$3,380

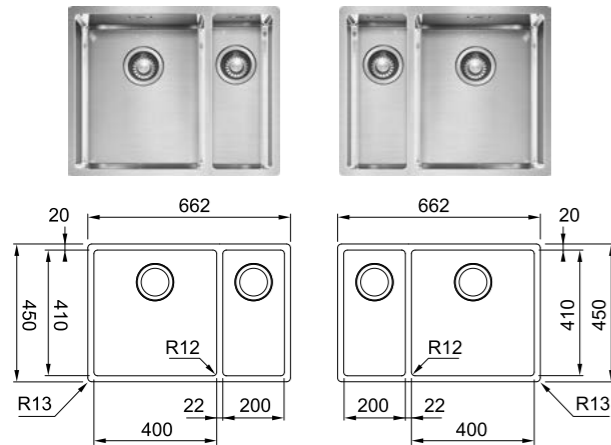
BOX



Model	BXX 210-72
Radius	12
Thickness	1.2mm
Overall Size	760 x 450 x 200mm (LxWxD)
Bowl Size	720 x 410 x 200mm (LxWxD)
Cut-out Size	730 x 420mm (LxW)
Installation	Inset, flushmount, undermount
Included Accessory	Waste kit w/ overflow
Suggested Retail Price	\$4,080

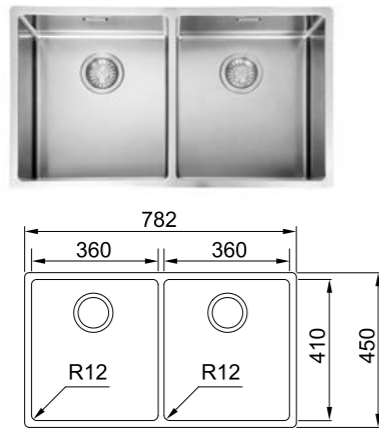
STAINLESS STEEL SINK

BOX



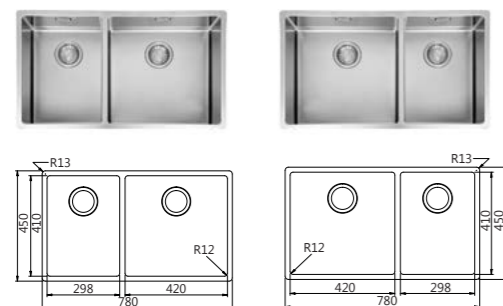
Model BXX 260-40 SBR / SBL
Radius 12
Thickness 1.2mm
Overall Size 662 x 450 x 200mm (LxWxD)
Bowl Size 400 x 410 x 200mm (LxWxD),
 200 x 410 x 200mm (LxWxD)
Cut-out Size 632 x 420mm (LxW)
Installation Inset, flushmount, undermount
Included Accessory Waste kit w/ overflow
Suggested Retail Price \$5,080

BOX



Model BXX 220-36-36
Radius 12
Thickness 1.2mm
Overall Size 782 x 450 x 200mm (LxWxD)
Bowl Size 360 x 410 x 200mm (LxWxD),
 360 x 410 x 200mm (LxWxD)
Cut-out Size 752 x 420mm (LxW)
Installation Inset, flushmount, undermount
Included Accessory Waste kit w/ overflow
Suggested Retail Price \$5,580

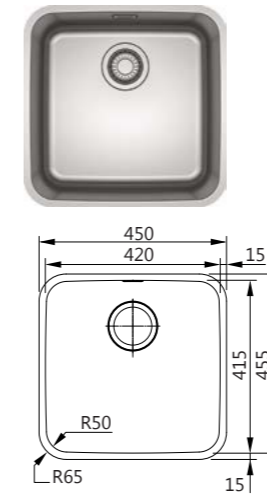
BOX



Model BXX 220-74 SBL / SBR
Radius 12
Thickness 1.2mm
Overall Size 780 x 450 x 200mm (LxWxD)
Bowl Size 420 x 410 x 200mm (LxWxD),
 298 x 410 x 200mm (LxWxD)
Cut-out Size 750 x 420mm (LxW)
Installation Inset, flushmount, undermount
Included Accessory Waste kit w/ overflow
Suggested Retail Price \$5,680

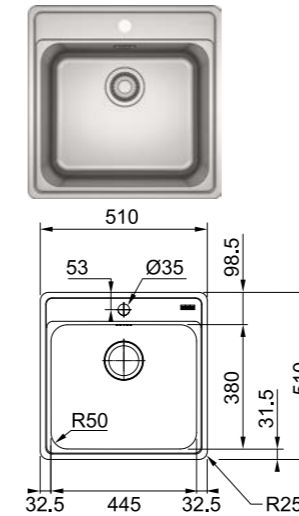
STAINLESS STEEL SINK

BELL



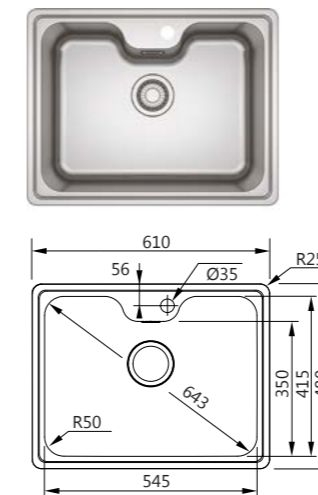
Model BCX 110-42
Radius 50
Thickness 0.8mm
Overall Size 450 x 445mm (LxW)
Bowl Size 420 x 415 x 200mm (LxWxD)
Cut-out Size 420 x 415mm, R50 (LxW)
Installation Undermount
Included Accessory Waste kit w/ overflow
Suggested Retail Price \$1,380

BELL



Model BCX 610-51
Radius 50
Thickness 0.8mm
Overall Size 510 x 510mm (LxW)
Bowl Size 445 x 380 x 200mm (LxWxD)
Cut-out Size 486 x 486mm, R10 (LxW)
Installation Inset
Included Accessory Waste kit w/ overflow
Suggested Retail Price \$1,680

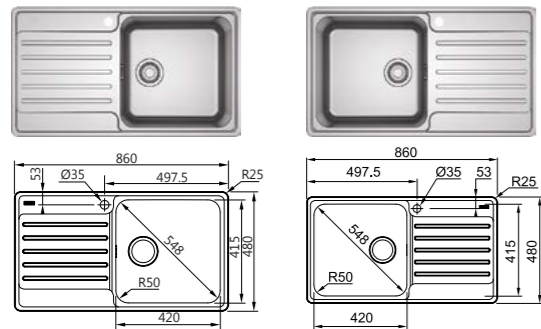
BELL



Model BCX 610-61
Radius 50
Thickness 0.8mm
Overall Size 610 x 480mm (LxW)
Bowl Size 545 x 415 x 200mm (LxWxD)
Cut-out Size 586 x 456mm, R10 (LxW)
Installation Inset
Included Accessory Waste kit w/ overflow
Suggested Retail Price \$1,880

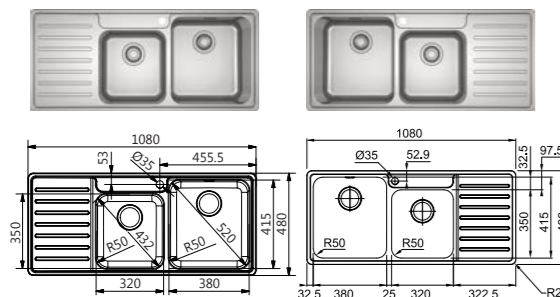
STAINLESS STEEL SINK

BELL



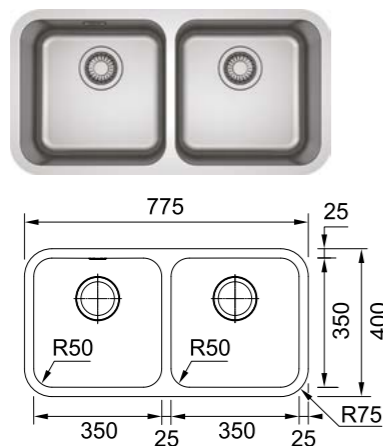
Model	BCX 611-86 LHD / RHD
Radius	50
Thickness	0.8mm
Overall Size	860 x 480mm (LxW)
Bowl Size	420 x 415 x 200mm (LxWxD)
Cut-out Size	836 x 456mm, R10 (LxW)
Installation	Inset
Included Accessory	Waste kit w/ overflow
Suggested Retail Price	\$2,180

BELL



Model	BCX 621 LHD / RHD
Radius	50
Thickness	0.8mm
Overall Size	1080 x 480mm (LxW)
Bowl Size	380 x 415 x 180mm (LxWxD), 320 x 350 x 160mm (LxWxD)
Cut-out Size	1056 x 456mm, R10 (LxW)
Installation	Inset
Included Accessory	Waste kit w/ overflow
Suggested Retail Price	\$2,780

BELL

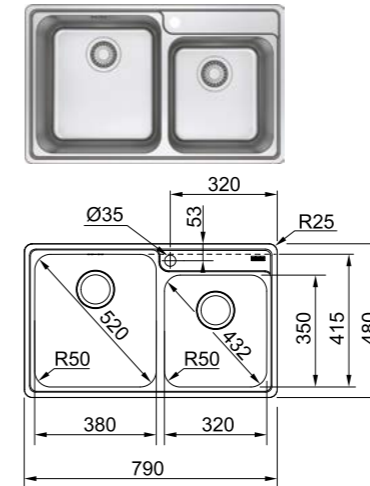


Model	BCX 120-35-35
Radius	50
Thickness	0.8mm
Overall Size	775 x 400mm (LxW)
Bowl Size	350 x 350 x 180mm (LxWxD), 350 x 350 x 180mm (LxWxD)
Cut-out Size	725 x 350mm, R50 (LxW)
Installation	Undermount
Included Accessory	Waste kit w/ overflow
Suggested Retail Price	\$1,780

STAINLESS STEEL SINK

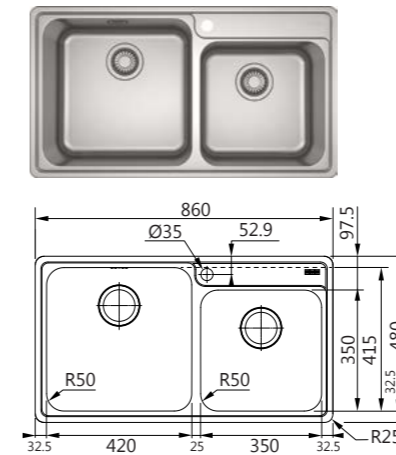
BELL

NEW



Model	BCX 620-38-32
Radius	50
Thickness	0.8mm
Overall Size	790 x 480mm (LxW)
Bowl Size	380 x 415 x 180mm (LxWxD), 320 x 350 x 160mm (LxWxD)
Cut-out Size	766 x 456mm, R10 (LxW)
Installation	Inset
Included Accessory	Waste kit w/ overflow
Suggested Retail Price	\$1,980

BELL



Model	BCX 620-42-35
Radius	50
Thickness	0.8mm
Overall Size	860 x 480mm (LxW)
Bowl Size	420 x 415 x 200mm (LxWxD), 350 x 350 x 180mm (LxWxD)
Cut-out Size	836 x 456mm, R10 (LxW)
Installation	Inset
Included Accessory	Waste kit w/ overflow
Suggested Retail Price	\$2,080

CLEANING ACCESSORIES



ITALY



Stainless Steel Sink Cleaner (200ml)
Suitable for daily maintenance

Model	Stainless Steel Sink Cleaner
Suggested Retail Price:	\$230



ITALY

Microfiber Care Cloth

Model	Microfiber Care Cloth
Suggested Retail Price:	\$180

ACCESSORIES

A seamless supplement to your sink

Turn your sink into a multi-functional work station with the addition of clever accessories that combine function and technology. From items that aid a hygienic kitchen, to those that make preparation a joy, you'll find accessories that surprise and delight, such as the lightboard that fits exactly over the bowl of the sink and acts as an ambient cover.



THE BEST-SELLING ROLLER MAT

A Franke classic that's not only useful and versatile, but also adds an elegant look to your sink.



THE NEAT STRAINER BOWL

A beautiful strainer bowl that simply fits. The anti-scratch frame glides perfectly on the edge of the sink: move it to where you need it.



WOODEN CHOPPING BOARD

Our Chopping Board fits your sink perfectly, sitting securely over the bowl. Allowing you to maximise workspace and transform your sink into a multi-purpose workstation.



WIRE BASKET

The Wire Basket is indispensable to hygienically dry your crockery and utensils. Designed to sit firmly on your drainer to balance your dishes firmly and securely so you air dry with confidence.

SINK ACCESSORIES



Type	Chopping Board	Type	Chopping Board	Type	Chopping Board	Type	Chopping Board	Type	Chopping Board	Type	Pepper Grinder
Model	200-292	Model	200-301	Model	200-302	Model	200-310	Model	112.0530.071	Model	900-675
Size	430 x 225 x 18mm	Size	534 x 220 x 36mm	Size	442 x 230 x 20mm	Size	532 x 280mm	Size	440 x 200 x 16mm	Material	Stainless Steel (AAA battery x 6 excluded)
Material	Bamboo	Material	Wooden	Material	Wooden	Material	Bamboo	Material	Polypropylene	Price	\$280
Price	\$230	Price	\$300	Price	\$420	Price	\$350	Price	\$420		

GRANITE SINK

MRG											
KNG											
UBG											
BLG											
CNG											
KBG											
KSG											
KCG											
FXG											

STAINLESS STEEL SINK

MRX											
GAX											
BXX											
BCX											

*Price = Suggested Retail Price

SINK WASTES AND OTHERS



Type	Waste Kit Set in Onyx (Sanitized)	Type	Waste Kit Set in Onyx (Sanitized)	Type	Waste Set without Overflow	Type	Waste Set with Overflow Set	Type	Waste Set with Overflow Set
Model	112.0658.444	Model	112.0658.484	Model	440-189	Model	440-153/ 440-190	Model	112.0049.409+ 133.0036.506
Price	\$680	Price	\$980	Price	\$110	Price	\$210	Price	\$260 MRX Exclusive

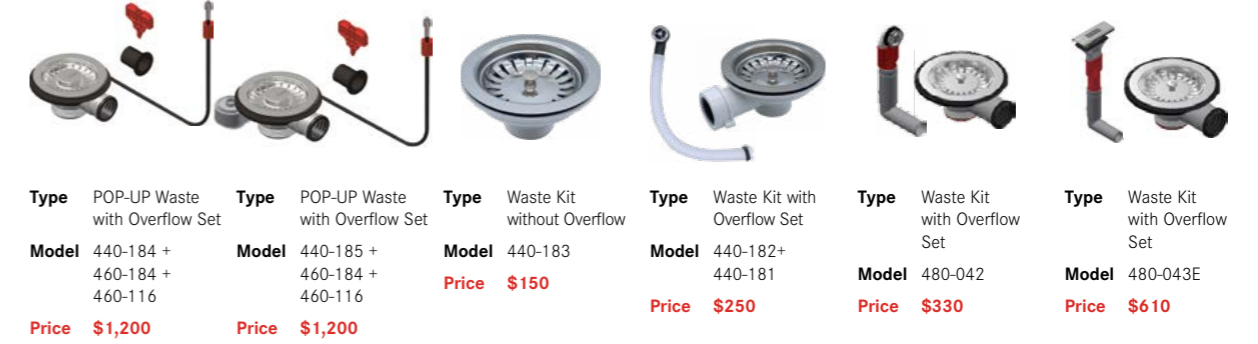
GRANITE SINK

MRG 610										
MRG 660/ 620										
KNG 110-37/ 110-52										
KNG 120										
UBG										
BLG 611-97										
BLG 621										
CNG										
KBG										
KSG										
KCG										
FXG										

STAINLESS STEEL SINK

MRX										
GAX 110/ 611										
GAX 620/ 621										
BXX										
BCX 110/ 610/ 611										
BCX 621/ 120-35-35/ 620										

SINK WASTES AND OTHERS



GRANITE SINK

MRG 610													
MRG 660/ 620	•			•									
KNG 110-37/ 110-52													•
KNG 120	•	•		•									•
UBG 610-56/ 610-78													•
UBG 620-86	•			•									•
BLG 611-97													•
BLG 621	•			•									•
CNG 610-39/ 610-54/ 610-73													•
CNG 611-62/ 611-78XL													•
KBG 110				•									•
KBG 160				•									•
KSG													•
KCG	•			•									•
FXG 620	•	•											•

STAINLESS STEEL SINK

MRX														
GAX 110/ 611														
GAX 620/ 621	•			•										
BXX				•										•
BCX 110/ 610/ 611				•										•
BCX 621/ 120-35-35/ 620	•	•		•										•

*Price = Suggested Retail Price



TAPS

Overview

Taps Worth Talking About

The perfect kitchen tap combines form and function, making your life easier and your kitchen more beautiful. Franke taps are a superior choice, renowned for design, quality components, and rigorous manufacturing processes. With the acquisition of Switzerland, Franke has gained a strong partner and increased expertise in high-end tap manufacturing and design.



HIGHLIGHTS

Kitchen taps designed to the finest standards



Explore endless shape, line and contour possibilities to make an ordinary kitchen something special. The Franke tap range provides your kitchen with a focal point – and in some cases, a talking point. Featuring cutting edge design and a whole host of innovative features to enhance your lifestyle – from filtered cold water, to instant boiling water – the range spans the entire spectrum of form and function.



Design

Franke's line of kitchen taps perfectly captures all the elements of today's design choices – traditional, transitional, and contemporary. With everything from top flight European models with a sleek minimalist line, to classic models that are the centerpiece to any kitchen, the addition of a Franke tap can reinvigorate an existing kitchen or make a statement all its own in a fresh design.

Manufacturing

Outstanding design and quality components come together beautifully in our manufacturing process. Strict adherence to Franke manufacturing standards in forming, finishing and final assembly achieve the exceptional quality and durability that makes a Franke tap one of the most desired additions to a kitchen.



Hygiene

Superior materials with corrosion resistant and easy-cleaning features guarantee that no harmful materials enter the taps' flow of water.



Durability

Scratch and acid resistant features of high quality SUS304 stainless steel ensures our tap have a much longer lifecycle.



Functionality

Ceramic cartridges provide uniform temperature and water flow transmissions, as well as superior water-saving capabilities.



Design Award

Thanks to its outstanding quality and cutting-edge design, the Franke Pescara range of taps has received the 2017 iF Gold Award and the Red Dot design award.

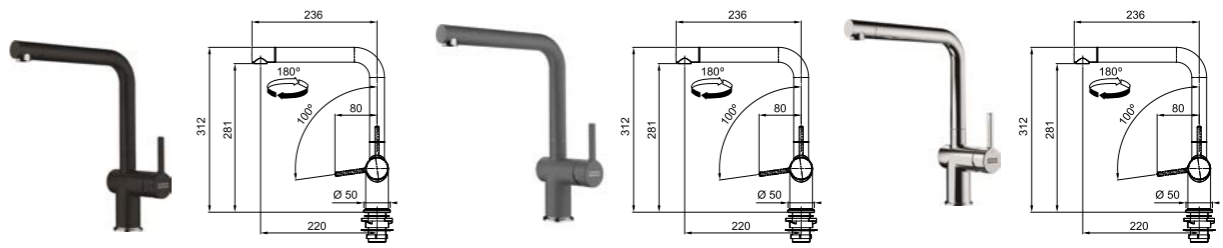


BRASS TAP

Brass is one of the most common materials in tap making, found all around the world. Its material characteristics make it possible to create a wide range of tap shapes and styles, and chrome finishing provides a shiny look perfect for contemporary kitchen styles.

BRASS TAP

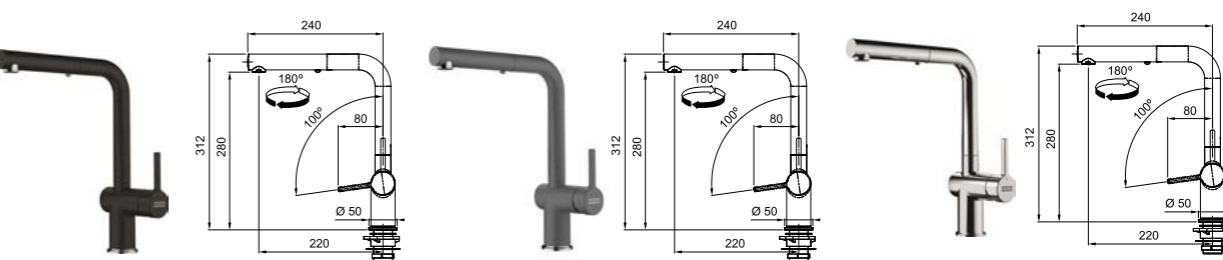
NEW **ITALY** **NEW** **ITALY** **NEW** **ITALY**



Model	Active L swivel	Model	Active L swivel	Model	Active L swivel
Material	Brass	Material	Brass	Material	Brass
Finish	Onyx	Finish	Stone Grey	Finish	Chrome
Pull Out	No	Pull Out	No	Pull Out	No
Nozzle / Spray	Nozzle	Nozzle / Spray	Nozzle	Nozzle / Spray	Nozzle
Hose Diameter	3/8"	Hose Diameter	3/8"	Hose Diameter	3/8"
Suggested Retail Price	\$1,880	Suggested Retail Price	\$1,880	Suggested Retail Price	\$1,680

* Use Colored Sink Cleaner for daily maintenance

NEW **ITALY** **NEW** **ITALY** **NEW** **ITALY**



Model	Active L pull out spray	Model	Active L pull out spray	Model	Active L pull out spray
Material	Brass	Material	Brass	Material	Brass
Finish	Onyx	Finish	Stone Grey	Finish	Chrome
Pull Out	Yes	Pull Out	Yes	Pull Out	Yes
Nozzle / Spray	Spray	Nozzle / Spray	Spray	Nozzle / Spray	Spray
Hose Diameter	3/8"	Hose Diameter	3/8"	Hose Diameter	3/8"
Suggested Retail Price	\$3,080	Suggested Retail Price	\$3,080	Suggested Retail Price	\$2,580

* Use Colored Sink Cleaner for daily maintenance

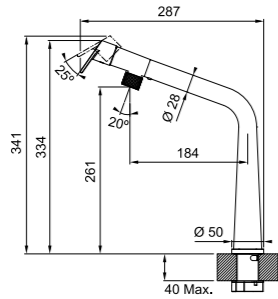
BRASS TAP

NEW

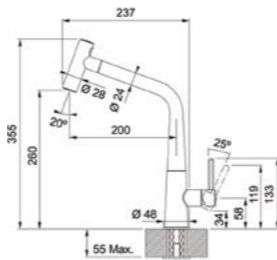
ITALY

NEW

ITALY



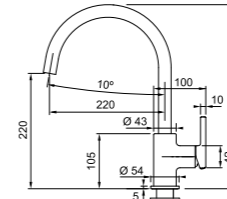
Model PT 905G Icon Swivel
Material Brass
Finish Matt Black
Pull Out No
Nozzle / Spray Nozzle
Hose Diameter 3/8"
Suggested Retail Price \$4,580



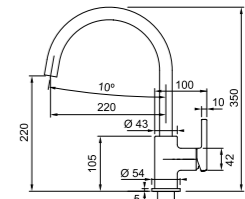
Model PT 193G Icon Pull Out
Material Brass
Finish Matt Black
Pull Out Yes
Nozzle / Spray Spray
Hose Diameter 3/8"
Suggested Retail Price \$4,880

BRASS TAP

NEW



Model CT 9020G
Material Brass
Finish Onyx
Pull Out No
Nozzle / Spray Nozzle
Hose Diameter 1/2"
Suggested Retail Price \$1,580



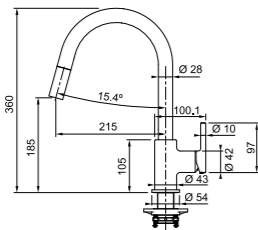
Model CT 9020C
Material Brass
Finish Chrome
Pull Out No
Nozzle / Spray Nozzle
Hose Diameter 1/2"
Suggested Retail Price \$1,580

NEW

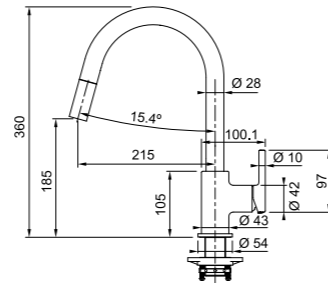
NEW

ITALY

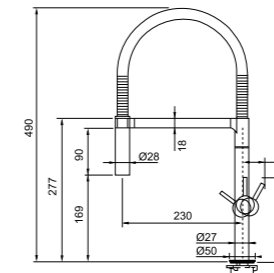
ITALY



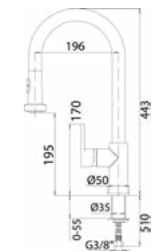
Model CT 933G Pull Out
Material Brass
Finish Onyx
Pull Out Yes
Nozzle / Spray Nozzle
Hose Diameter 1/2"
Suggested Retail Price \$1,880



Model CT 933C Pull Out
Material Brass
Finish Chrome
Pull Out Yes
Nozzle / Spray Nozzle
Hose Diameter 1/2"
Suggested Retail Price \$1,880



Model PT 331C
Material Brass
Finish Chrome
Pull Out Yes
Nozzle / Spray Nozzle
Hose Diameter 3/8"
Suggested Retail Price \$2,780



Model PT 992C Hermes
Material Brass
Finish Chrome
Pull Out Yes
Nozzle / Spray Spray
Hose Diameter 3/8"
General Acceptance No. 20190615
Suggested Retail Price \$2,980

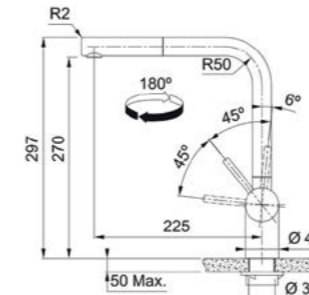
* Use Colored Sink Cleaner for daily maintenance

STAINLESS STEEL TAP

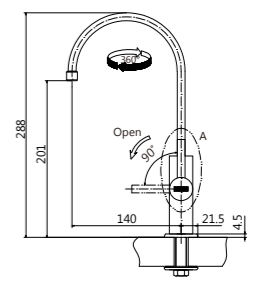
Durable and easy to maintain, stainless steel is also lead-free, making it completely safe for your family. A brushed stain finishing is also an elegant complement to stainless steel sinks and appliances.



STAINLESS STEEL TAP



Model	CT 1310S
Material	Stainless Steel
Finish	Satin
Pull Out	Yes
Nozzle / Spray	Nozzle
Hose Diameter	3/8"
Suggested Retail Price	\$2,380



Model	CF 01S/ 220-913E
Material	Stainless Steel
Finish	Satin
Pull Out	No
Nozzle / Spray	Nozzle
Hose Diameter	—
Suggested Retail Price	\$1,480

CLEANING ACCESSORIES



ITALY



Tap Cleaner (250ml)
Suitable for daily maintenance

Model	Tap Cleaner
Suggested Retail Price	\$230



ITALY

Microfiber Care Cloth

Model	Microfiber Care Cloth
Suggested Retail Price:	\$180

FILTRATION

Overview

Clean and Healthy Water on Demand

Whether it's a cool refreshing glass of water in the garden, washing salad and vegetables or brewing the perfect cup of coffee, our water filters improve the look, taste and odour of your water by filtering out unwanted contaminants.

instantFil Counter-Top Drinking Water Filter System

Discover the quick and convenient solution to enjoy fresh, clean water for all of the family. Franke instantfil counter-top water filters connect to the existing tap and sit next to the sink, meaning the system will fit perfectly in any kitchen without the need for permanent installation.

Franke instantfil counter-top water filtration systems take out more than 99.99% of common water contaminants, providing healthy, tasty water with no extra effort required.

Still Pure Under Counter Drinking Water Filter System

Originally designed to be fitted to the mains cold water pipe underneath the kitchen counter, these filter systems have proved very popular within the water cooler industry, due to the ease with which they can be incorporated into cooler plumbing.



INSTANTFIL/ STILL PURE FILTER CARTRIDGE

Performance Claims



Scan for Chinese version

FLOW RATE	US GPM (@45psi)	0.5 GPM
	LPM (@45psi)	1.9 LPM

CAPACITY		600 USG
		2300 L

FILTRATION RATING* (% particulate filtration efficiency)		
	Absolute (defined as >99.99%)	0.9 micron
	Nominal (defined as >99.9%)	0.5 to 0.8 micron
	Nominal (defined as >97%)	0.2 to 0.3 micron
	Turbidity	>98%

PATHOGENIC ORGANISMS

% Bacteria Removal	E. Coli / Cholera / Shigella / Typhoid / Klebsiella Terrigena	>99.99%
% Cyst Removal	Cryptosporidium	>99.99%
	Giardia	>99.99%

TRACE ORGANICS REMOVAL*

Insecticides	Lindane @ 0.1ppb presence	>85%
Herbicides	Atrazine @ 1.2ppb presence	>85%
Phenols	TCP @ 1.2ppb presence	>50%
Polyaromatic Hydrocarbons	PAHs @ 0.2ppb presence	>95%
Trihalomethanes	Chloroform @ 150ppb presence	>50%

ENHANCED ORGANICS REMOVAL*

Lindane	2ppb presence	Ave 70%
Atrazine	9ppb presence	Ave 90%
Benzene	15ppb presence	Ave 87%

INORGANICS REMOVAL*

Free Chlorine Removal	2ppm presence to NSF Class 1 Std 42	94.2%
-----------------------	-------------------------------------	-------

MONOCHLORAMINE REDUCTION*

2ppm presence	Ave 64%
---------------	---------

HEAVY METALS REMOVAL*

Lead reduction pH 6.5	@ 150ppb presence to NSF Std 53	97.3%
Lead reduction pH 8.5	@ 150ppb presence to NSF Std 53	99.5%
Mercury reduction pH 6.5	@ 6ppb presence	Ave 90%
Cadmium reduction pH 6.5	@ 30ppb presence	Ave 95%

FILTER MAINTENANCE TIPS

For optimum performance, water flow should be restricted to approximately 1 1/2L per minute and replaced every 6 months or after filtering 2,300L of water.

*These claims have not been evaluated by NSF International

HIGHLIGHTS

The new contemporary drinking water filter



360° Swivel Spout

Versatile positioning on any counter with adjustable length tubing.

Variety of Filter Elements

Solve most common water contamination issues. Bayonet construction for easy quarter turn access on cleaning and maintenance.

Modular Design

Space saving modern shape streamlined for easy cleaning with interchangeable coloured body sleeve and cap.

WATER FILTRATION SYSTEM

INSTANTFIL COUNTER-TOP DRINKING WATER FILTER SYSTEM

ENGLAND



Model instantFil Counter-top Drinking Water Filter System
Size 310 x 175mm (LxW)
Material Plastic
Suggested Retail Price \$980

Operating Conditions
 Operating Pressure: 0.7-6 bar (10-90 psi)
 Operating Temperature: 5-30°C



STILL PURE UNDER COUNTER DRINKING WATER FILTER SYSTEM

ENGLAND



Model Still Pure Under Counter Drinking Water Filter System
Size 300 x 68mm (LxW)
Material Stainless Steel
Suggested Retail Price \$2,780

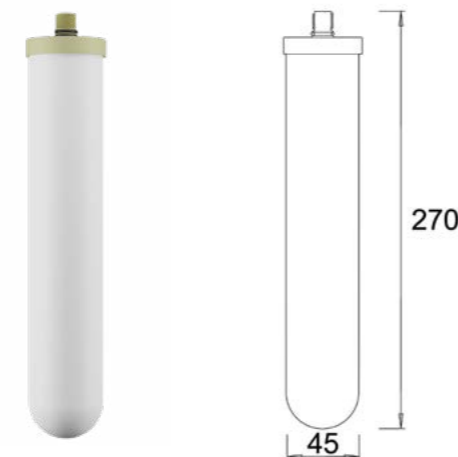
Operating Conditions
 Operating Pressure: 0.7-6 bar (10-90 psi)
 Operating Temperature: 5-30°C

* It is recommended to pair with CF-01S Mini Clear



INSTANTFIL/ STILL PURE FILTER CARTRIDGE FRA-06

ENGLAND



Model instantFil/ Still Pure Filter Cartridge Fra-06
Size 270 x ø45mm (LxW)
Material Ceramic
Suggested Retail Price \$600





FOOD WASTE DISPOSER

Overview

More Choice, More Space

A food waste disposer unit can be a wonderful, long-lasting addition to any kitchen if proper care is taken.

Food waste disposer units are designed to deal with small amounts of organic waste: fruit and vegetable peels, small bones from fish and chicken, coffee grounds, pips and seeds, nutshells, eggshells, rice and leftover meat. To prevent any problems, avoid putting teabags, seafood shells, corn cobs, banana skins, pineapple leaves or metal, glass, plastic and paper down the unit. Plus, to keep things smelling clean and fresh, don't use drain cleaner – instead, squirt a few drops of lemon juice.

Torque Talk

- Permanent magnet motor
- Torque master grinding system



Magnetic Magic

- Energy saving
- Less is more



Here to stay

- 3-bolt mount system
- Corrosion resistance



Clean Slate

- Bio Shield
- Removeable splashguards



HIGHLIGHTS

A greener, simpler and quieter choice



Less is More

Quickly shred and pulp food waste material into small pieces that are then flushed down the drain at a 2700RPM motor speed. This process releases water trapped inside the food material (which can form up to 85% of its bulk), thereby helping to reduce the volume of food waste released from your home.

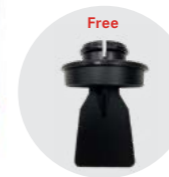
Health and Hygiene

Food waste in the kitchen is not only messy and inconvenient, but can also lead to hygiene problems. Fish, meat and dairy products can spoil quickly, resulting in a plethora of germs and insects – particularly in a warm environment. A Turbo Elite series food waste disposer is the simple, convenient and hygienic answer.

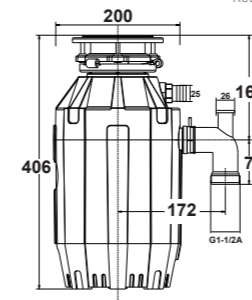
Safety Comes First

Equipped with complete features and systems for safe use, our Turbo Elite series food waste disposer ensures full functionality for a less wasteful home without any worry over safety or accidents.

FOOD WASTE DISPOSER



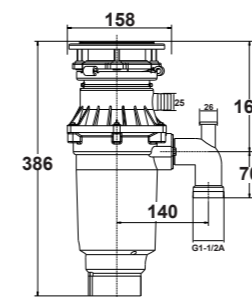
FWDA03B-01
Retail Selling Price \$40



Model	Turbo Elite TE-125
Type	Continuous Feed
Dimension	ø200 x 406mm
Grind Chamber Capacity	1,400ml
Motor Horsepower	1.25HP
Motor Speed RPM	2,800RPM
Motor Type	High Torque Dual Magnetic
Air Switch	Integral
Mounting System	Professional 3-bolt
Warranty	2 Years
Suggested Retail Price:	\$6,280



FWDA03B-01
Retail Selling Price \$40



Model	Turbo Elite Slimline TE-75S
Type	Continuous Feed
Dimension	ø158 x 386mm
Grind Chamber Capacity	1,400ml
Motor Horsepower	0.75HP
Motor Speed	2,700RPM
Motor Type	High Torque Dual Magnetic
Air Switch	Integral
Mounting System	Professional 3-bolt
Warranty	2 Years
Suggested Retail Price:	\$3,880



CLEAN & CARE

Overview

General maintenance is wonderfully simple

Increase the lifespan of your Franke products and prevent the buildup of dirt and limescale by simply wiping down your sink and all stainless steel surfaces with a damp cloth and soapy water. This simple tip will keep your products looking great.

Discover more top cleaning tips below.

NEW Colored Sink Cleaner (250ml)

Cleaning a colored mineral cast sink is like washing a car. In order to keep it clean you have to make sure the water drops roll off the surface without leaving lime scale deposits. This is exactly what the specialised Franke Kitchen Care Colored Sink Cleaner does. It removes dirt deposits and protects your sink effectively from water stains.



Model Colored Sink Cleaner
Suggested Retail Price: \$230



NEW Stainless Steel Sink Cleaner (200ml)

Commercial detergents often affect stainless steel. After a while, the sink becomes dull and the glaze is damaged. The new Franke Kitchen Care Stainless Steel Sink Cleaner instead is acid-free and includes polishing compounds which ensure sustainable and gentle cleaning. Applied regularly with the Franke Kitchen Care Microfiber Care Cloth, it ensures your sink will always look as good as new.

Model Stainless Steel Sink Cleaner
Suggested Retail Price: \$230



NEW Tap Cleaner (250ml)

When looking at a shiny tap, one tends to forget all the technology and mechanics tucked inside. There are valves, cartridges, seals, and filters that might get harmed if you use an aggressive cleaner. The Franke Kitchen Care Tap Cleaner removes all lime scale and dirt gently but thoroughly, thus preserving the beauty and performance of your tap for years.

Model Tap Cleaner
Suggested Retail Price: \$230



NEW Microfiber Care Cloth

The best toothpaste is even more effective when applied with the best toothbrush. The same goes for the Franke Kitchen Care detergents. When combined with the Franke Kitchen Care Microfiber Care Cloth, each of them is more effective and more protective than with any other cloth or sponge. Thanks to its unique structure, the fibre used in it absorbs even the smallest dirt particles while smoothly polishing the surface. Washable at up to 60°C and suitable for tumble drying, the cloth can be used over and over again to keep your kitchen clean and shiny.

Model Microfiber Care Cloth
Suggested Retail Price: \$180



PROJECT REFERENCE

(BY ASCENDING ORDER)

HONG KONG

PROJECT	DEVELOPER
Billionnaire Avant 御門·前	Chinachem 華懋
Cathay Pacific Cargo Terminal HK 國泰航空貨運站	Cathay Pacific Airlines Ltd. 國泰航空
Centre Point 尚賢居	Henderson Land 恒基
Cityplaza Phase 3 太古城中心3期	Swire Properties 太古
Dragons Range 玫瑰山	Kerry 嘉里
Eden Gate 雲門	Chinachem 華懋
Eltanin Square Mile 利奧坊·曉岸	Henderson Land 恒基
Emerald Bay 碧瓏灣	Evergrande 中國恒大集團
Facebook Hong Kong	Facebook Hong Kong
Grand Hyatt HK Renovation 香港君悅酒店	Grand Hyatt 君悅酒店
Harmony Place 樂融軒	Housing Society 香港房屋協會
HKUST Campus 香港科技大學	HKUST 香港科技大學
Horizon Suite Hotel 海澄軒	Cheung Kong Holdings 長江
Island Garden 香島	Nan Fung 南豐
JW Marriot HK 萬豪酒店	Marriott International Group 萬豪
K.K. Leung Building, HKU 香港大學梁銶琚樓	HKU 香港大學
Lepont 上源	Vanke 萬科
MacPherson Place 麥花臣匯	Kowloon Development 九龍建業
Mantin Heights 皓畋	Kerry 嘉里
Maya 曦臺	Wang On 宏安
Mount Nicholson 聶高信山	Wheelock 會德豐
132 Nga Tsin Wai Road 衙前圍道132號	TK Tsui
1 Oxford Road 牛津道一號	China Overseas 中國海外
77 Peak Road 山頂道77號	Wheelock 會德豐
11 Plantation Road 種植道11號	Wheelock 會德豐
Providence Bay Clubhouse 天賦海灣	Nan Fung 南豐
Rosewood Hotel 瑰麗酒店	New World Development 新世界

HONG KONG

PROJECT	DEVELOPER
Sheung Heung Road Project 上鄉道發展項目	New World Development 新世界
St. Martin 雲滙	Sun Hung Kai Properties 新鴻基
St. Paul's Hospital 聖保祿醫院	St. Paul's Hospital 聖保祿醫院
The Beaumont 峻瀝	Cheung Kong Holdings 長江
The Bloomsway 滿名山	Kerry 嘉里
The Entrance 峻源	Citic 中信集團
The Hong Kong Polytechnic University 香港理工大學	The Hong Kong Polytechnic University 香港理工大學
The Met. Acappella 薈薈	Wang On 宏安地產
The Signature 春暉8號	New World Development 新世界
The Visionary 昇薈	Nan Fung 南豐
Towngas Cooking Center Causeway Bay 銅鑼灣煤氣烹飪中心	Towngas 中華煤氣
Vibe Centro 龍譽	Poly Property 保利置業
Winfield 雲暉大廈	Nan Fung 南豐

MACAU

PROJECT	DEVELOPER
JW Marriot, Galaxy Resort, Macau 萬豪酒店	Galaxy Entertainment Group 銀河娛樂
La Marina 海上居	Polytec Asset Group 保利達
Lotes T+T1, The Orient Pearl District, Novos Aterros da Perta, Macau	Polytec Asset Group 保利達
MGM Cotai Macau 美獅美高梅酒店	MGM China Holdings 美高梅中國控股
Nova City Phase 5 濠庭都會 - 濠尚	Shun Tak 信德
Rua da Ribeira do Patane, Macau 鏡湖醫院	鏡湖醫院基金會
The Venetian Hotel Resort, Macau 澳門威尼斯人	The Venetian Macau Limited 澳門威尼斯人

WARRANTY TERMS

The warranty for manufacturing defects on this FRANKE device is 1 year from the date of purchase (Faucet cartridge is 5 years from the date of purchase). The customer must inform FRANKE about all faults within 2 months of determination. FRANKE must always be provided with the proof of purchase stating the vendor/retailer, purchase date and product identification number.

The manufacturer's warranty is only granted under the following conditions:

- The device is only used in a private household.
- The device was connected as per the manufacturer's instructions and all essential energy regulations were complied with when connecting as per the supplied operating instructions.
- The device is only used in line with the instructions in the operating instructions.
- All repairs are implemented by an authorised FRANKE customer service centre and FRANKE spare parts were used.
- The model or serial number on the product was not changed, deleted, removed or otherwise made illegible.

During the warranty period FRANKE will either repair or replace defective parts for the customer free of charge.

FRANKE has the right to replace the defective device with one of the same value if defects occur repeatedly or if the repair costs bear no relationship to the value of the goods.

There is no right to repairing or replacing the device beyond the warranty period of 1 year.

EXCLUSION CLAUSES

This FRANKE warranty does not cover repair or spare part costs arising for the following reasons:

- The operating or maintenance instructions from the manual provided were not met.
- The device was operated in a negligent or grossly negligent manner.
- The maintenance or repair was undertaken by an unauthorised person or the customer and/or no original spare parts were used.
- Due to transport damage or damage arising from force majeure

* The above warranty terms only apply to Hong Kong and Macau.

and/or events that cannot be specified as manufacturing defects on the device.

- Parts that can be removed, handles, light bulbs, enamel or glass parts, external tubes and all components and wear parts are not covered by this warranty unless it can be proven that they have manufacturing defects.
- Damage to the product caused by the installer and operating faults caused by incorrect installation.
- Defects on the systems and fittings with which the device was linked. This is why the customer has to provide full payment for any service call and spare parts if requesting an authorised employee from the customer service centre in these cases.

EXTENT OF AREA

This warranty is guaranteed by FRANKE in the area of the stated country by the customer service network.

Devices sold or used in other countries are covered by the warranty of the FRANKE Group company in the respective country.

MANUFACTURER'S LIABILITY RESTRICTIONS

FRANKE does not accept any liability whatsoever for damage to people, property or animals created directly or indirectly as a result of not complying with the instructions in the operating manual, in particular with regard to the installation, operation and maintenance of the device.

EXPIRY OF THE WARRANTY

After the end of the 1 year warranty period, all service calls to customer services for a repair or replacement of components must be paid for in full by the customer, as per the price lists of the authorised FRANKE customer service. In the event that a defective product is repaired or replaced, the warranty applies to the repaired or new product only for the same time as the original warranty on the product.

If you want to contact FRANKE for a service call, please provide the purchase receipt and the following information:

- Model / serial / product no.
You will find this information on the device's nameplate.
- Date of purchase

