

BETTE
BATHROOMS, NATURALLY

BETTETWIST

THE SHOWER TO BATH IN





For shower fans who also like to take a bath

A refreshing shower or a relaxing bath? Time is often short in the morning – so an invigorating shower is the first choice. But whenever your time allows it, there is nothing better than a hot bath to relax and feel good. **BETTETWIST** is the solution to satisfy both needs.

Ingenious technology combined with top-class design ensures safety without compromise and ultimate functionality. A fascinating product idea – space-saving and yet with ample space for showering and bathing to suit all ages.





Sophisticated technology

A perfect coordination of details makes **BETTETWIST** safe and comfortable in daily use. A deep, wide recess in the bath wall makes it easy to get in and out. The toughened safety glass enclosure is raised and lowered electronically and can be pivoted to the inside and the outside.

According to the proven car window principle, the enclosure cannot be shut while there is anything in the way. An electronic water level gauge guarantees that the bath cannot be filled when the enclosure is open. When there is water in the bath, the water level gauge prevents opening of the enclosure.

An invisible drainage and overflow system allows a higher water level than in baths with a visible overflow – for maximum bathing pleasure.



BETTETWIST is easy and simple to operate via a touchscreen on the edge of the bath.

For individual solutions to fit every space, **BETTETWIST** is available in 3 sizes as either a right-hand or left-hand version. For installation in corners and niches, it comes with an optional special encasement.

*Dimensions
(length x width x depth / reclining space)*
160 x 90 / 70 x 42 cm/ 1290 mm
170 x 90 / 70 x 42 cm/ 1390 mm
180 x 90 / 70 x 42 cm/ 1490 mm

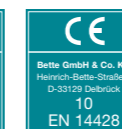


Feeling good with natural materials

Closeness to nature and high quality are a matter of course for us. **BETTETWIST** is made of the natural material steel/enamel. A unique bathroom product has been created just from glass, water and steel. The material features excellent thermal conductivity. When the bath is full, it is pleasantly warm to the touch above the water level as well. With its high-quality **BETTEGLAZE®** finish, the high-gloss surface guarantees optimal hygiene and long-term pleasure in showering and bathing.



Top-quality toughened safety glass according to EN 12150



Reliable product quality in every respect according to DIN EN 14516 and DIN EN 14428



Extras for comfort and safety

An additional superior-quality finish of **BETTETWIST** with **BETTEGLAZE® PLUS** preserves the unique beauty of the surface and facilitates cleaning. A crystal-clear polymer film is applied just once and then acts as a permanent water repellent, making water drops roll off more easily. This reduces the formation of deposits and consequently the effort in cleaning. **BETTEGLAZE® PLUS** also protects the environment, since aggressive detergents can be dispensed with.



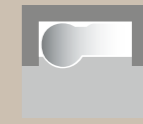
Surface treatment with **BETTEANTISLIP** provides extra safety in the shower area and entrance to the bath without impairing the pleasant feel of the surface.

The coating consists of a permanently fused-in quartz-sand mixture which meets the class B standard for barefoot wet areas (DIN 51097).

BETTERELAX provides even more comfort and relaxation. The ergonomically designed cushion clings to the bath and offers safe, pleasant support for head, neck, arms or feet. Thanks to an integrated magnet, the cushion can be placed precisely where needed, and it is easy to clean. It is available in white or black.



Corner installation



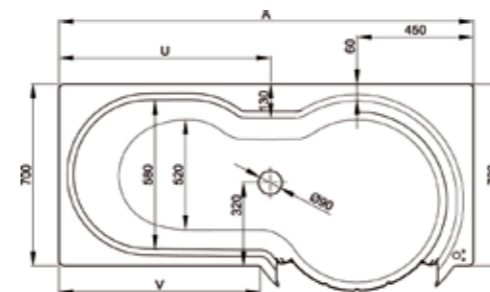
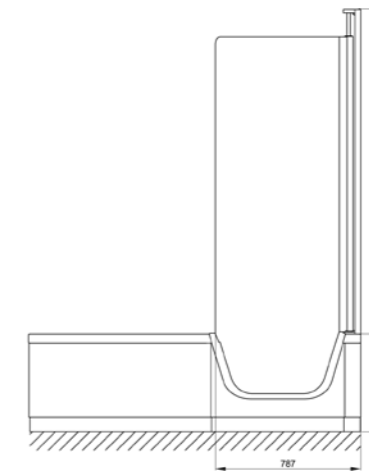
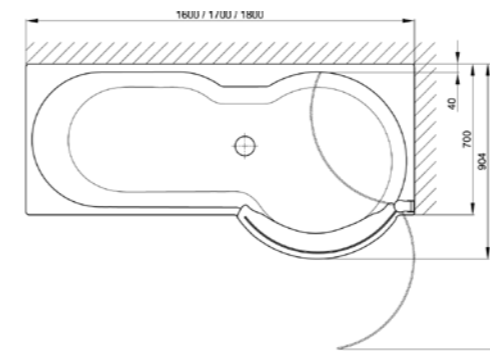
Niche installation

Installation variants

Whether as a left-hand or right-hand model, for niche or corner installation – **BETTETWIST** is available with a suitable bath panels as an option, to blend in harmoniously with the bathroom interior.

The profiles for the real glass enclosures can be supplied either in white or in chrome.

BETTETWIST



BETTETWIST	A	D	G	i	U	V	Cubic capacity*
160 x 90/70 x 42 cm	1600	1480	700	1310	815	776	147 litres
170 x 90/70 x 42 cm	1700	1580	800	1410	915	876	160 litres
180 x 90/70 x 42 cm	1800	1680	099	1510	1015	967	173 litres

*Cubic capacity: water content less 70 l displacement

Bette GmbH & Co. KG

Heinrich-Bette-Straße 1
D-33129 Delbrück
Tel.: +49 5250 511-0
Fax: +49 5250 511-130
info@bette.de
www.bette.de

United Kingdom + Ireland:

Bette GmbH & Co. KG UK
Office 2
The Courtyard
Hall Farm
Lockington
Derbyshire
DE74 2RH
Tel.: +44 844 800 0547
Fax: +44 844 800 0548
E-mail: info@bette.co.uk

Our articles are supplied exclusively through
the sanitary wholesale trade.

Concept, design, text:
gambit marketing & communication GmbH, Dortmund.
Photography: Studio Casa, Münster; www.fotolia.de
Lithography: Divis, Hagen.
Overall production: Druckerei Baden, Kassel.

You will find the complete product range for bathing, showering
and washing in our catalogue and under www.bette.de

Copyright:
All reserves to pictures and brands reserved.