

# Product Details

## Mirror TV

### LED MaJico Cosmetic Mirror TV CUBIK 6.4

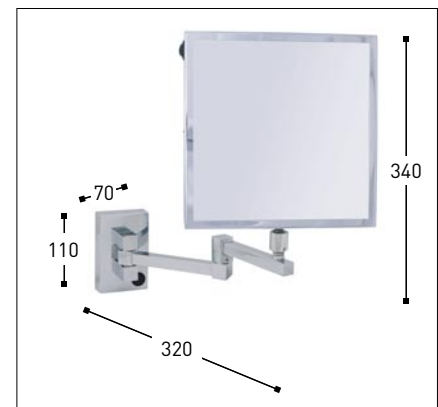


- Plain mirror with integrated LCD monitor:  
Size: 129 x 96 mm / diagonal 163 mm (6,4")  
Video signals: PAL / NTSC  
Power supply: DC 12 V (rating)  
Power: 10 W / 830 mA (typical)  
TV when switched ON - Mirror when switched OFF
- 3 x magnifying mirror with LED lighting:  
Maintenance free - 50.000 hours lifespan
- Twin arm with full pivotal adjustment
- Material: brass
- Class I, 220-250 V



- ▶ To be connected to an existing TV system (slave installation):

Code	Version	Mirror
020679	chrome	215 x 215 mm



#### Cleaning Instructions - Magnifying Mirrors:

- Mirror Lens  
Wipe down with a light solution of soap suds. Do NOT use sponges or cloths that may damage the surface. Wipe with a damp cloth. Polish with a dry soft cotton cloth.
- Chrome Trim & Arms  
Do NOT use any cleaners containing acids, ammonia or abrasives. The use of such products even in a diluted form may damage the finish.

# Product Details

---

## Mirror TV

---

# LED MaJico

## Cosmetic Mirror TV CUBIK 6.4

### Screen Data / Bildschirmdaten

Display type / Displaytyp	TFT Thin Film Transistor
Monitor size / Monitorgröße	129 x 96 mm / diagonal 163 mm; 5,08 x 3,78" / diagonal 6,4"
Picture format / Bildformat	04:03
Physical resolution / Phys. Auflösung	960 x 234 / dots - 1 Pixel for RGB
Viewing angle / Blickwinkel	125° horizontal / 100° vertical
Brightness / Helligkeit	300 cd/m <sup>2</sup>
Displayable colours / Farben	8 Bit
Line frequency / Zeilenfrequenz	15.75 MHz
Max. image frequency / Bildfrequenz	31.80 MHz
Video signals / Videosignale	PAL / NTSC
Video signal input / Videosignaleingang	RCA pin
Operating temperature / Temperatur	-10° to +60° C / 14° to 140° F
Humidity / Feuchtigkeit	20 - 80 %
External Power supply / Externes Netzteil	DC 12V (rating / ausgelegt)
Power / Leistung	10 W / 830 mA (typical / typisch)



Subject to modification / Änderungen vorbehalten